



One good turn deserves another

Modern halogen light for luminaires
with screw fittings

SEE THE WORLD IN A NEW LIGHT

OSRAM



Have you changed your whole décor – or just your light bulbs?

Take a couple of minutes to change to halogen light.

Did you know that you can screw halogen lamps into your existing light fittings, and instantly benefit from all the advantages of modern halogen technology?

Life in a new light.

You will be amazed at the difference you can make just by replacing your light bulbs. The colours in your home will look fresher and more vibrant than ever before in brilliant white halogen light. Surfaces sparkle with attractive effects, and structures within a room are brought to life by the interplay between light and shadow. Goodbye gloominess. Hello brightness.

Bright sparks save energy.

If you switch to halogen lamps you can expect up to 30 % more light than your ordinary light bulbs of the same wattage can provide. For example, the HALOPAR® 16 and the CONCENTRA® R50 are both rated at 40 W but the HALOPAR® 16 is much brighter. Because these halogen lamps have a higher luminous efficacy, you can use lower wattage versions to replace your existing light bulbs and save energy and electricity costs.

What's more, modern halogen lamps usually last twice as long as ordinary light bulbs. Just fit and forget. There are so many advantages you need to see them for yourself.

*Left:
Fresher, crisper and more appetising thanks to halogen lamps from the HALOLUX® family*

*Right:
Fully dimmable halogen reflector lamps for directional accent lighting – the HALOPAR® family*



Your alternative to the “fat” light bulb with the E 27 base

HALOLUX® BT

- Modern rounded BT bulb
- Also available in a siliconised version for glare-free light
- Wattages from 40 W to 150 W

Highlights

- Simple direct replacement for “normal” light bulbs
- Better brilliant light*
- Up to 30 % brighter*
- Lasts up to twice as long*
- Fully dimmable without the need for special dimmers
- Integrated UV filter

* Compared with a conventional light bulb of the same wattage



Your "slim" alternatives to conventional light bulbs

HALOLUX CERAM®

- Classic slim cylindrical version, ideal for small or narrow luminaires
- Also available with a matt bulb for glare-free light
- Wattages from 60 W to 250 W

HALOLUX® T

- Our smallest mains-voltage halogen lamp with a sleeve bulb (clear or matt)
- Wattages of 25 W, 40 W and 60 W



Your alternatives to the E 14 candle lamp

HALOLUX® HC

- Unusual exclusive design with hexagonal clear pyramid bulb
- Wattages of 25 W, 40 W and 60 W

HALOLUX® CF

- Classic design with clear crystal bulb
- Wattages of 25 W and 40 W



Your alternatives to classic reflector lamps

HALOPAR® 16

- With E 14 base – replaces R 50 reflector lamps
- With aluminium reflector
- Attractive halogen reflector optics
- Wattage of 40 W

HALOPAR® 20/30

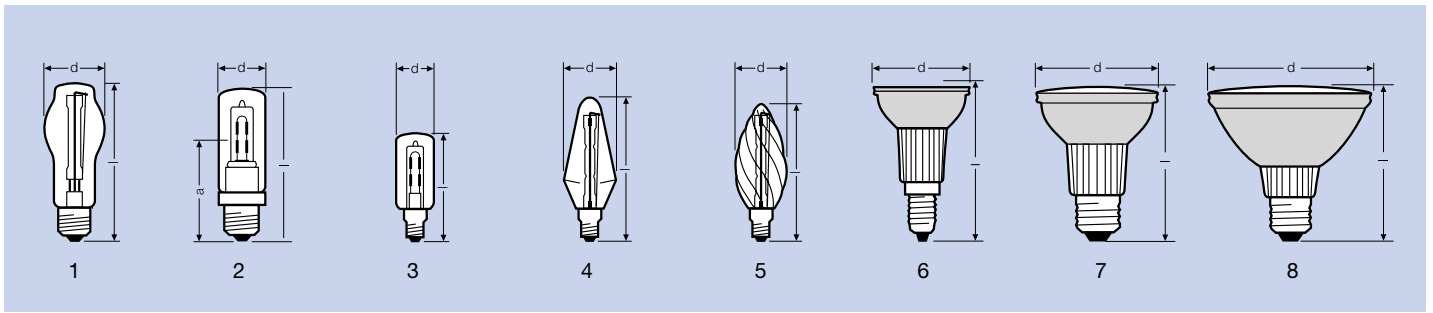
- With E 27 base to replace conventional R 63 or R 95 reflector lamps and PAR lamps
- Two beam angles
- With aluminium or Cool-Beam reflector



Aluminium reflector:
Heat is emitted to the front



Cool-Beam reflector:
Heat is emitted largely to the back



Type Reference	Product number (EAN)	Fig. no.	Rated wattage	Luminous flux	Average lamp life	Length l	Diameter d	Base
HALOLUX® BT								
64470BT	4050300436838	1	40 W	490 lm	2000 h	117 mm	48 mm	E 27
64472BT	4050300100753	1	60 W	840 lm	2000 h	117 mm	48 mm	E 27
64476BT	4050300100838	1	100 W	1600 lm	2000 h	117 mm	48 mm	E 27
64478BT	4050300100913	1	150 W	2550 lm	2000 h	117 mm	48 mm	E 27
64470BT SIL	4050300620060	1	40 W	460 lm	2000 h	117 mm	48 mm	E 27
64472BT SIL	4050300348711	1	60 W	780 lm	2000 h	117 mm	48 mm	E 27
64476BT SIL	4050300348797	1	100 W	1450 lm	2000 h	117 mm	48 mm	E 27
64478BT SIL	4050300348872	1	150 W	2100 lm	2000 h	117 mm	48 mm	E 27
HALOLUX CERAM®								
64472	4050300309781	2	60 W	820 lm	2000 h	105 mm	32 mm	E 27
64474	4050300011837	2	75 W	1100 lm	2000 h	105 mm	32 mm	E 27
64476	4050300011875	2	100 W	1500 lm	2000 h	105 mm	32 mm	E 27
64478	4050300004044	2	150 W	2500 lm	2000 h	105 mm	32 mm	E 27
64480	4050300004075	2	250 W	4350 lm	2000 h	105 mm	32 mm	E 27
64472IM	4050300315003	2	60 W	790 lm	2000 h	105 mm	32 mm	E 27
64474IM	4050300011844	2	75 W	1050 lm	2000 h	105 mm	32 mm	E 27
64476IM	4050300011882	2	100 W	1470 lm	2000 h	105 mm	32 mm	E 27
64478IM	4050300004068	2	150 W	2400 lm	2000 h	105 mm	32 mm	E 27
64480IM	4050300004082	2	250 W	4210 lm	2000 h	105 mm	32 mm	E 27
HALOLUX® T								
64860T	4050300500942	3	25 W	260 lm	1500 h	80 mm	26 mm	E 14
64861T	4050300363707	3	40 W	490 lm	1500 h	80 mm	26 mm	E 14
64862T	4050300331638	3	60 W	820 lm	2000 h	80 mm	26 mm	E 14
64861TIM	4050300394015	3	40 W	460 lm	1500 h	80 mm	26 mm	E 14
64862TIM	4050300386362	3	60 W	790 lm	2000 h	80 mm	26 mm	E 14
HALOLUX® HC								
64860HC	4050300588933*	4	25 W	260 lm	1500 h	105 mm	38 mm	E 14
64861HC	4050300352275	4	40 W	490 lm	2000 h	105 mm	38 mm	E 14
64862HC	4050300348650	4	60 W	840 lm	2000 h	105 mm	38 mm	E 14
HALOLUX® CF								
64860CF	4050300604435	5	25 W	260 lm	1500 h	100 mm	35 mm	E 14
64861CF	4050300368542	5	40 W	490 lm	2000 h	100 mm	35 mm	E 14

Type Reference	Product number (EAN)	Fig. no.	Rated wattage	Luminous intensity	Beam angle	Average lamp life	Length l	Diameter d	Base
HALOPAR® 16, aluminium reflector									
64822FL	4050300938479	6	40 W	550 cd	40°	2000 h	73 mm	50.7 mm	E 14
HALOPAR® 20, aluminium reflector									
64832SP	4050300406800	7	50 W	3000 cd	10°	2000 h	91 mm	64.5 mm	E 27
64832FL	4050300406824	7	50 W	1000 cd	30°	2000 h	91 mm	64.5 mm	E 27
HALOPAR® 20, dichroic reflector									
64836SP	4050300406848	7	50 W	3200 cd	10°	2000 h	91 mm	64.5 mm	E 27
64836FL	4050300406862	7	50 W	1100 cd	30°	2000 h	91 mm	64.5 mm	E 27
HALOPAR® 30, aluminium reflector									
64841SP	4050300338460	8	75 W	6900 cd	10°	2000 h	90.5 mm	97 mm	E 27
64841FL	4050300338484	8	75 W	2200 cd	30°	2000 h	90.5 mm	97 mm	E 27
HALOPAR® 30, dichroic reflector									
64845SP	4050300338521	8	75 W	7500 cd	10°	2000 h	90.5 mm	97 mm	E 27
64845FL	4050300338507	8	75 W	2400 cd	30°	2000 h	90.5 mm	97 mm	E 27

* Blister pack