

# Technical Information

No. 4195

Edition: 08/05 subject to change

Substitutes: Edition 01/04

Status: valid

# Xenon Short Arc Lamp

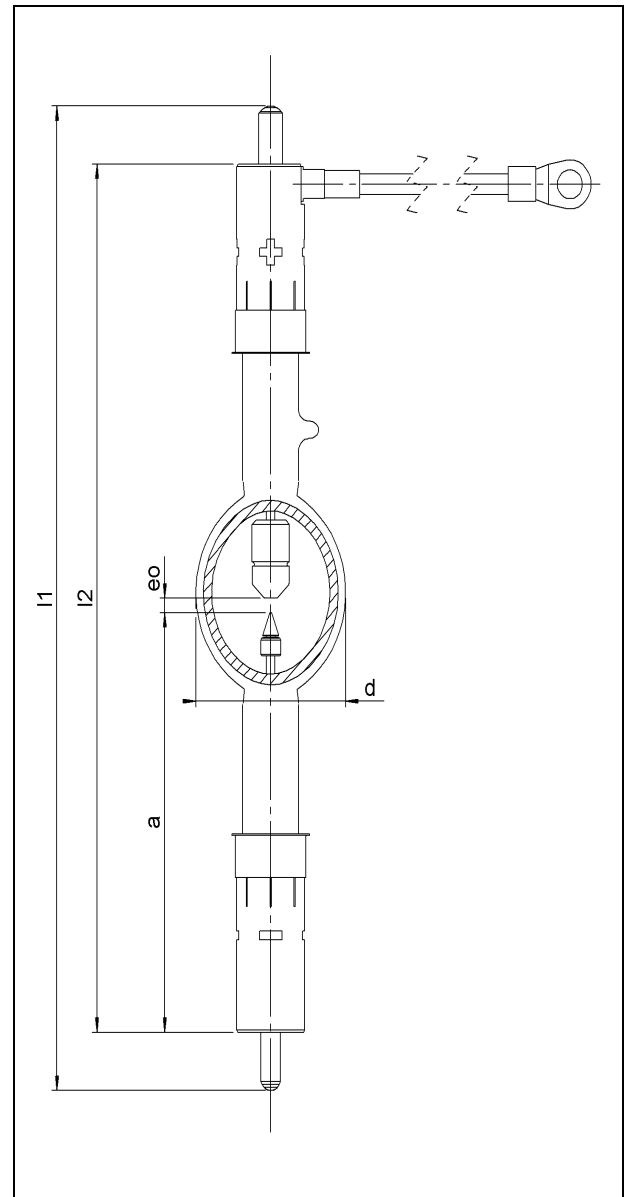
# XBO<sup>®</sup> 3000 W/HS OFR

## ■ Product description

The OSRAM XBO<sup>®</sup> 3000 W/HS OFR is a DC-operated lamp that is especially suited for applications requiring excellent arc stability and a high luminance. The OSRAM XBO<sup>®</sup> 3000 W/HS OFR is designed for horizontal burning position (H = horizontal, S = short).

## ■ Technical data

Order reference	XBO <sup>®</sup> 3000 W/HS OFR	
Rated lamp wattage	W	3000
Rated lamp voltage	V	29
Rated lamp current (DC)	A	100
Current control range	A	60 - 110
Ignition voltage	kV <sub>p</sub>	36
Min. open circuit voltage for cold / hot ignition	V	85 / 110
Luminous flux	lm	130000
Luminous intensity	cd	12000
Average luminance	cd/cm <sup>2</sup>	90000
Luminous area w x h *)	mm	1.7 x 5.0
Electrode gap e (cold)	mm	6
Lamp length (overall) l <sub>1</sub>	mm	max. 342
Lamp length l <sub>2</sub>	mm	max. 302
LCL a	mm	145
Bulb diameter d	mm	60
Average service life	h	2000
Warranty	h	1500
Base	Cathode	SFa 27-7,9
	Anode	SFaX 27-9,5



\*) w = luminance half width value; h = height of luminous area (corresponds to electrode gap, hot)

## ■ Lamp operation

Maximum permissible base temperature	230°C
Cooling	forced cooling / fan
Min. air flow velocity around discharge vessel	6 m/s
Magnetic arc stabilization	necessary for horizontal operation
Operating position	s 30 (vertical ± 30° ; anode up) ; p 30 (horizontal ± 30°)