

## Technical Information

No. 4412

Edition 08/05 - subject to change

Substitutes: Edition 01/04

Status: valid

## Xenon Short Arc Lamp

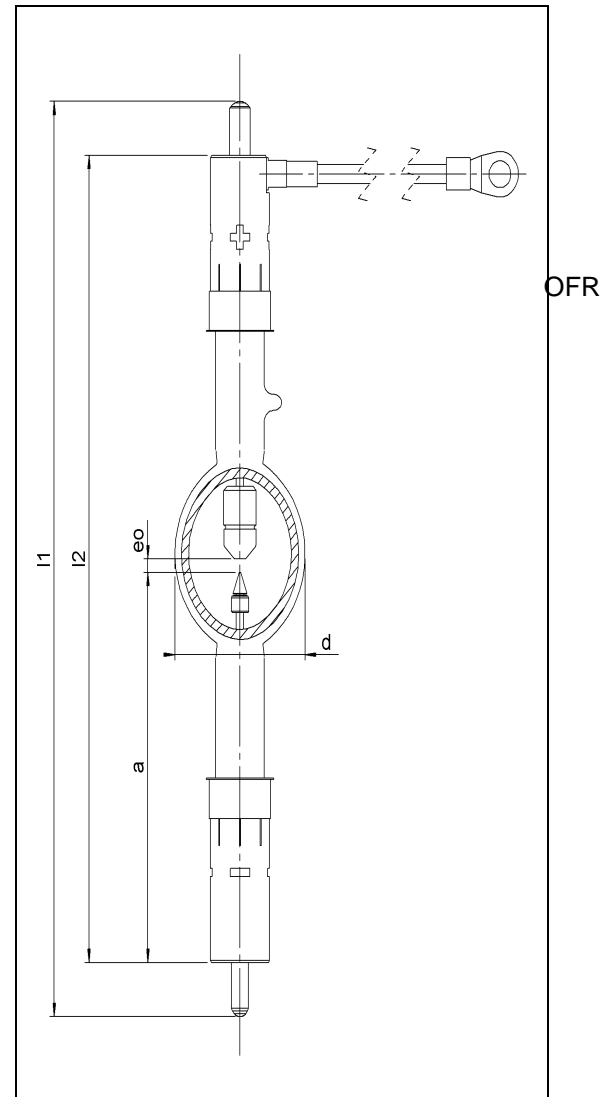
# XBO<sup>®</sup> 2000 W/H OFR

### ■ Product description

The OSRAM XBO<sup>®</sup> 2000 W/H OFR is a DC-operated lamp that is especially suited for applications requiring excellent arc stability and a high luminance. The OSRAM XBO<sup>®</sup> 2000 W/H OFR is designed for horizontal burning position (H = horizontal).

### ■ Technical data

Order reference	XBO <sup>®</sup> 2000 W/H OFR	
Rated lamp wattage	W	2000
Rated lamp voltage	V	28
Rated lamp current (DC)	A	70
Current control range	A	50 – 85
Ignition voltage	kV <sub>p</sub>	33
Min. open circuit voltage for cold / hot ignition	V	85 / 110
Luminous flux	lm	80000
Luminous intensity	cd	7500
Average luminance	cd/cm <sup>2</sup>	80000
Luminous area w x h *)	mm	1.3 x 4.8
Electrode gap e (cold)	mm	5,8
Lamp length (overall) l <sub>1</sub>	mm	max. 370
Lamp length l <sub>2</sub>	mm	max. 322
LCL a	mm	142,5
Bulb diameter d	mm	52
Average service life	h	3000
Warranty	h	2400
Base	Cathode	SFaX 27-12
	Anode	SFaX 27-10



\*) w = luminance half width value; h = height of luminous area (corresponds to electrode gap, hot)

### ■ Lamp operation

Maximum permissible base temperature	230°C
Cooling requirements	forced cooling / fan necessary
Min. air flow velocity around discharge vessel	3 m/s
Operating position	s 30 (vertical ± 30° ; anode up) ; p 30 (horizontal ± 30°)